



INSTALLATION INSTRUCTIONS
LED PLL Tube series



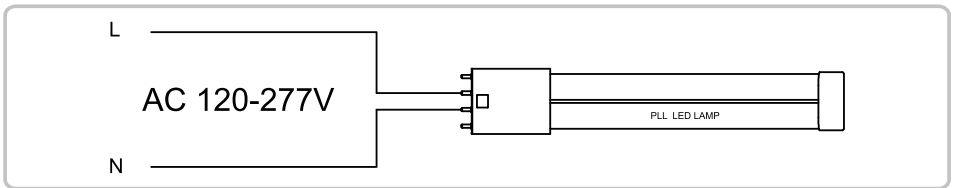
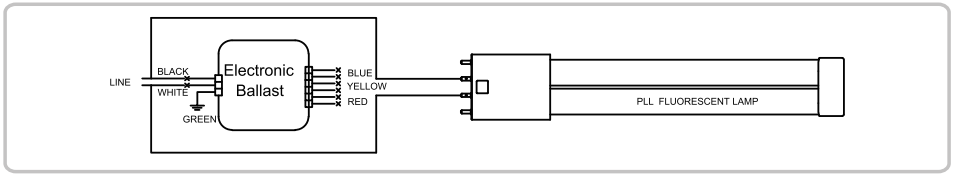
LED23W/PLL/830-G8D
LED23W/PLL/835-G8D
LED23W/PLL/840-G8D
LED23W/PLL/850-G8D

SAFETY PRECAUTIONS:

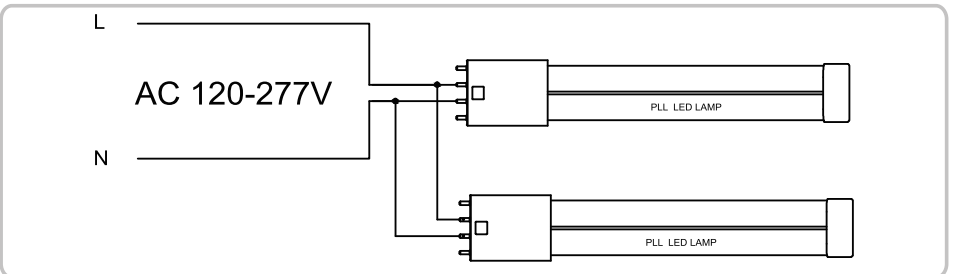
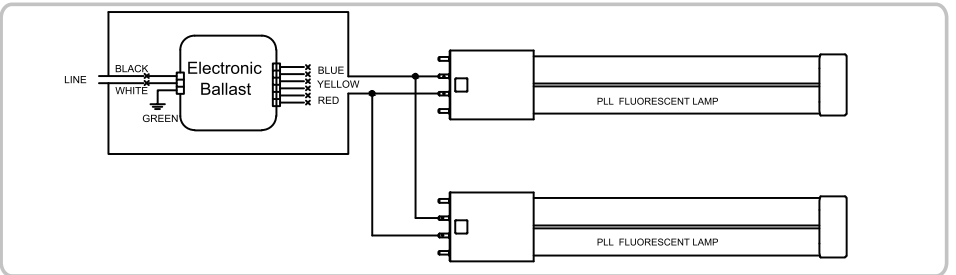
- WARNING - RISK OF FIRE OR ELECTRIC SHOCK. LED RETROFIT KIT INSTALLATION REQUIRES KNOWLEDGE OF LUMINAIRES ELECTRICAL SYSTEMS. IF NOT QUALIFIED, DO NOT ATTEMPT INSTALLATION. CONTACT A QUALIFIED ELECTRICIAN.
- WARNING - RISK OF FIRE OR ELECTRIC SHOCK. INSTALL THIS KIT ONLY IN THE LUMINAIRES THAT HAVE THE CONSTRUCTION FEATURES AND DIMENSIONS SHOWN IN THE PHOTOGRAPHS AND/OR DRAWINGS AND WHERE THE INPUT RATING OF THE RETROFIT KIT DOES NOT EXCEED THE INPUT RATING OF THE LUMINAIRE.
- WARNING - TO PREVENT WIRING DAMAGE OR ABRASION, DO NOT EXPOSE WIRING TO EDGES OF SHEET METAL OR OTHER SHARP OBJECTS.
- THIS RETROFIT KIT IS ACCEPTED AS A COMPONENT OF A LUMINAIRE WHERE THE SUITABILITY OF THE COMBINATION SHALL BE DETERMINED BY AUTHORITIES HAVING JURISDICTION.
- DO NOT MAKE OR ALTER ANY OPEN HOLES IN AN ENCLOSURE OF WIRING OR ELECTRICAL COMPONENTS DURING KIT INSTALLATION.
- INSTALLERS SHOULD NOT DISCONNECT EXISTING WIRES FROM LAMPHOLDER TERMINALS TO MAKE NEW CONNECTIONS AT LAMPHOLDER TERMINALS. INSTEAD INSTALLERS SHOULD CUT EXISTING LAMPHOLDER LEADS AWAY FROM THE LAMPHOLDER AND MAKE NEW ELECTRICAL CONNECTIONS TO LAMPHOLDER LEAD WIRES BY EMPLOYING APPLICABLE CONNECTORS
- NOT FOR EMERGENCY LIGHTING
- PRODUCT SHOULD BE INSTALLED BY QUALIFIED ELECTRICIAN.
- SWITCH OFF THE POWER SUPPLY BEFORE COMMENCING WORK, MAKE SURE CORRECT CONNECTION BEFORE POWERING ON.
- DO NOT USE LED DRIVER WITH THE PRODUCT.
- THIS DEVICE COMPLIES WITH PART 15 OF THE FCC RULES. OPERATION IS SUBJECT TO THE FOLLOWING TWO CONDITIONS: (1) THIS DEVICE MAY NOT CAUSE HARMFUL INTERFERENCE, AND (2) THIS DEVICE MUST ACCEPT ANY INTERFERENCE RECEIVED, INCLUDING INTERFERENCE THAT MAY CAUSE UNDESIRED OPERATION.

WIRING INSTRUCTION-ELECTRONIC BALLAST

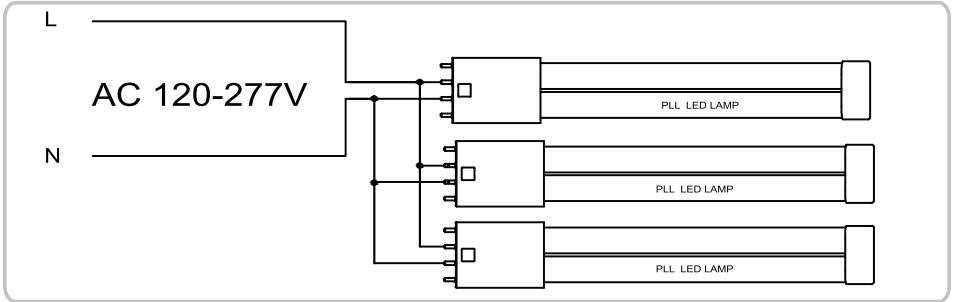
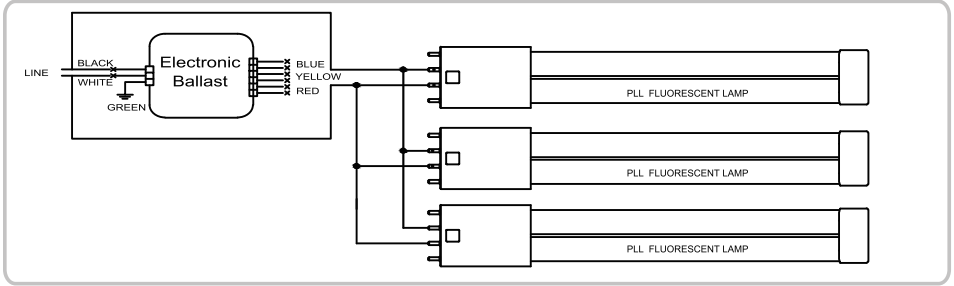
RETROFIT LUMINAIRE WITH 1 LAMP:



RETROFIT LUMINAIRE WITH 2 LAMPS:



RETROFIT LUMINAIRE WITH 3 LAMPS:



THE UNITS COVERED BY THIS REPORT WERE INTENDED TO RETROFIT SURFACE MOUNT, TYPE IC OR NON-IC RECESSED MOUNT LISTED FLUORESCENT LUMINAIRES THAT USE MAXIMUM THREE TUBULAR LAMPS, THE MINIMUM LAMP COMPARTMENT DIMENSIONS ARE TABULATED BELOW.

MODEL	MINIMUM LAMP COMPARTMENT DIMENSIONS [Length x Width x Height] [cm]
LED23W/PLL/830-G8D LED23W/PLL/835-G8D LED23W/PLL/840-G8D LED23W/PLL/850-G8D	62 x 60 x 8